

OWLG/OWLS Series

DATASHEET



OWLG/OWLS Series – Laser distance sensors

- Ultra compact design
- Measuring ranges up to 550mm
- Versions with laser line for rough surfaces (OWLS only)
- Measuring rate up to 1.1 kHz
- Robust metal housing with protection class IP67

OVERVIEW OWLG & OWLS MODELS

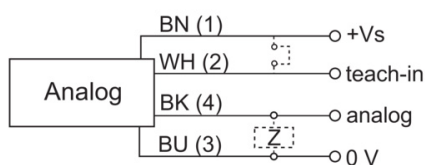
Model	Measuring Range	Laser Class	Output
OWLG 1003	16-26 mm	Laser class 1 - Point	Analog current / analog voltage
OWLG 2003	16-26 mm	Laser class 2 - Point	Analog current / analog voltage
OWLG 1012	16-120 mm	Laser class 1 - Point	Analog current / analog voltage
OWLG 2012	16-120 mm	Laser class 2 - Point	Analog current / analog voltage
OWLS 4040	50-350 mm	Laser class 2 - Point	Analog current / analog voltage
OWLS 4040 L	50-350 mm	Laser class 2 - Line	Analog current / analog voltage
OWLS 4060	50-550 mm	Laser class 2 - Point	Analog current / analog voltage
OWLS 4060 L	50-550 mm	Laser class 2 - Line	Analog current / analog voltage

OWLG/OWLS Series

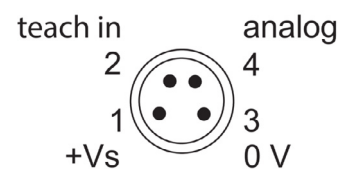
TECHNICAL DETAILS

GENERAL DATA		
Series	OLWG	OWLS
Measuring range	16-26 mm / 16-120 mm	50-350 mm / 50-550 mm
Output circuit	4 - 20 mA / 0 - 10 V	
Measurement method	Triangulation	
Laser class	1 or 2	2
Wavelength	660 nm	
Connection type	Connector M8 4-pin	
Teach-in	Teach-in Taste / Extern	
Power indicator	LED green	
Display of alert / contamination	LED red	
Electronics	Integrated	
Measuring frequency	1.1 kHz	
Supply voltage V DC	12 - 28 V DC	
Power consumption max	100 mA	
Short circuit protection	Yes	
Reverse polarity protection	Yes	
Housing material	Zinc die casting	
Front windscreen	Glass	
Protection class	IP67	
Dimensions (B x H x T)	13 x 37 x 34.5 mm	13.6 x 49 x 40.3 mm
Construction type	Cuboid	
Operating temperature range	-10 - +50 °C	
Ambient light safety	< 100 kLux	

CONNECTION DIAGRAM

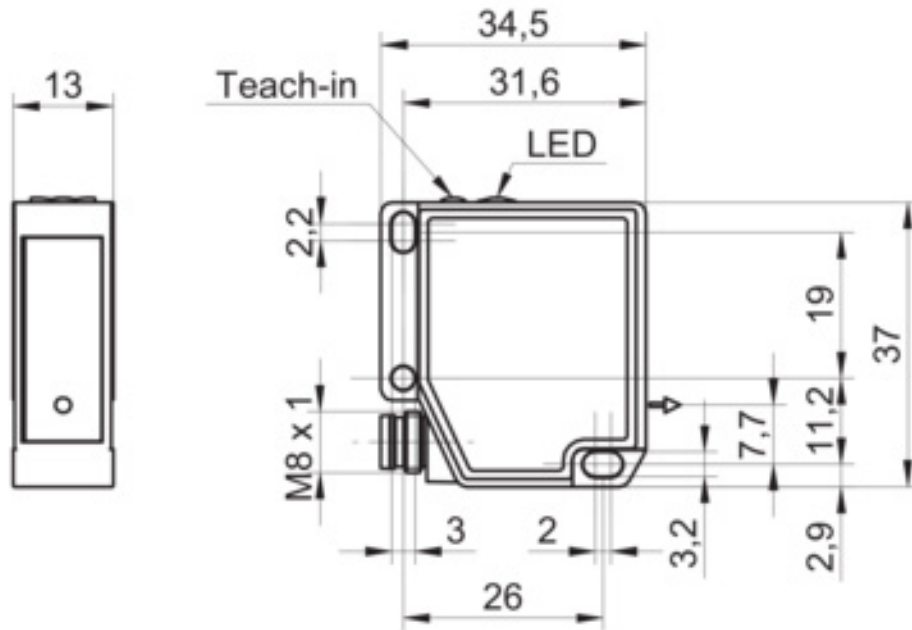


PIN ASSIGNMENT

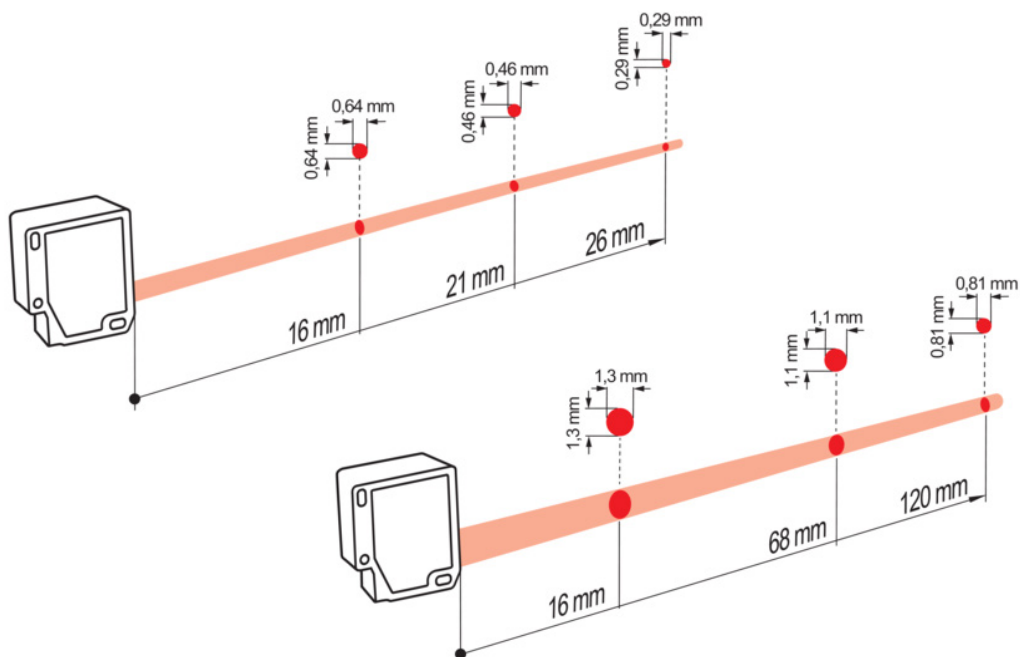


OWLG/OWLS Series

OWLG SERIES DIMENSIONS (MM)

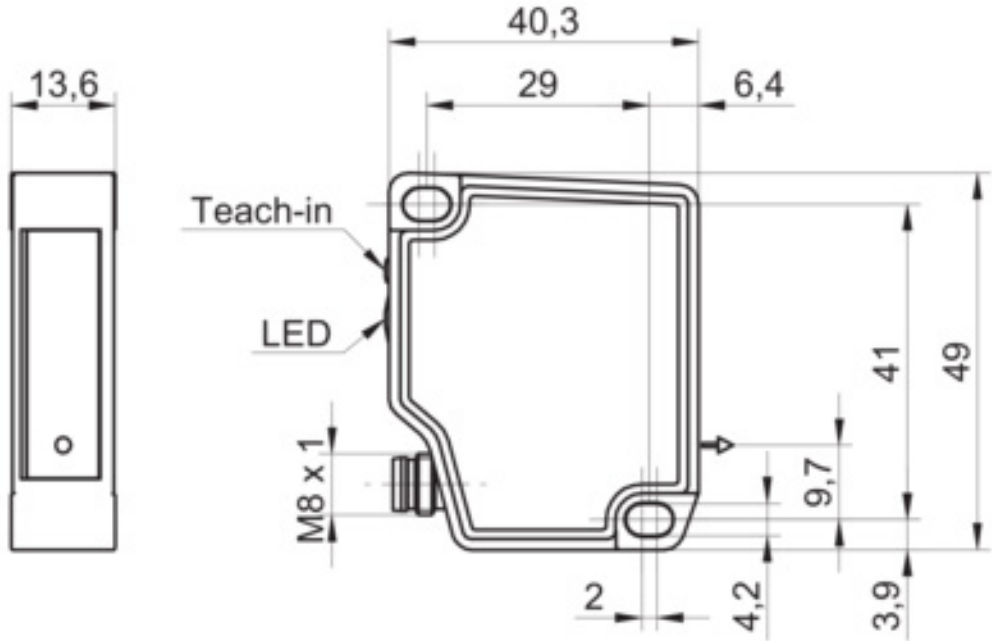


OWLG SERIES BEAM PATH (TYPICAL)

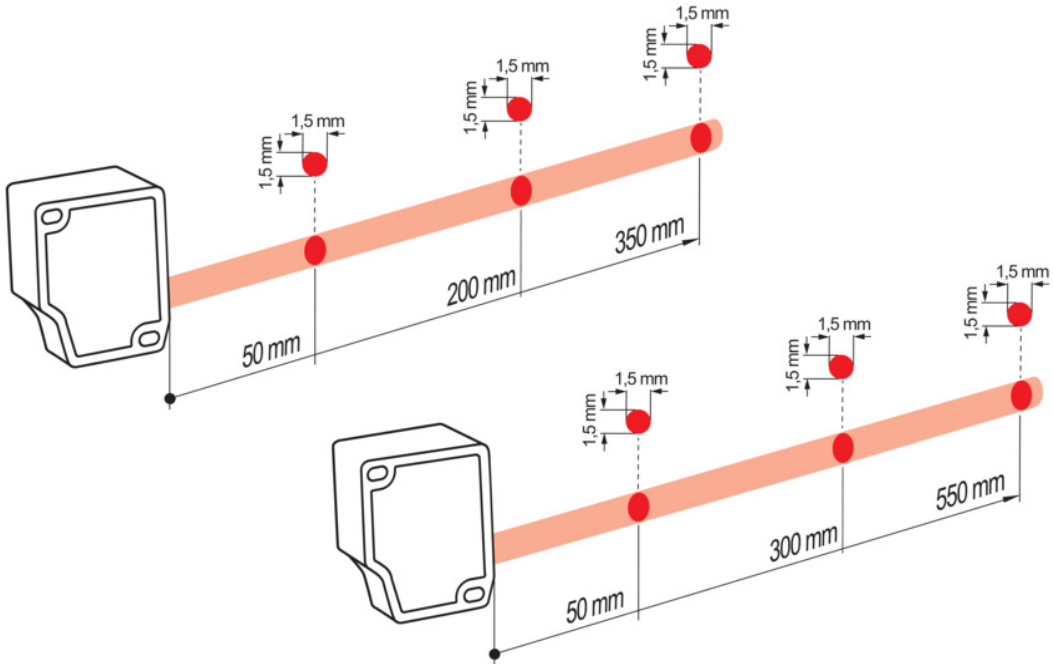


OWLG/OWLS Series

OWLS SERIES DIMENSIONS (MM)



OWLS SERIES BEAM PATH (TYPICAL)



OWLG/OWLS Series

MODEL OVERVIEW OWLG

MODEL OVERVIEW OWLG							
Product	Measuring range	Repeat Accuracy	Linearity Deviation	Temperature Drift	Beam Type	Laser Class	Output circuit
OWLG 1003 AE S2	16-26 mm	6 µm	0.13%	< 0.01 %	Point	Laser Class 1	4 - 20 mA
OWLG 1003 AA S2							0 - 10 V
OWLG 2003 AE S2						Laser Class 2	4 - 20 mA
OWLG 2003 AA S2							0 - 10 V
OWLG 1012 AE S2	16-120 mm	100 µm	0.14%	< 0.04 %	Point	Laser Class 1	4 - 20 mA
OWLG 1012 AA S2							0 - 10 V
OWLG 2012 AE S2						Laser Class 2	4 - 20 mA
OWLG 2012 AA S2							0 - 10 V

MODEL OVERVIEW OWLS

MODEL OVERVIEW OWLS							
Product	Measuring range	Repeat Accuracy	Linearity Deviation	Temperature Drift	Beam Type	Laser Class	Output circuit
OWLS 4040 AE S2R	50-350 mm	280 µm	0.14%	< 0.05 %	Point	Laser Class 2	4 - 20 mA
OWLS 4040 AA S2R							0 - 10 V
OWLS 4040 AE S2R L					Line		4 - 20 mA
OWLS 4040 AA S2R L							0 - 10 V
OWLS 4060 AE S2R	50-550 mm	686 µm	0.25%	< 0.08 %	Point	Laser Class 2	4 - 20 mA
OWLS 4060 AA S2R							0 - 10 V
OWLS 4060 AE S2R L					Line		4 - 20 mA
OWLS 4060 AA S2R L							0 - 10 V